

Mini CAT5 Extenders • Mini CAT5 Splitter/Extenders

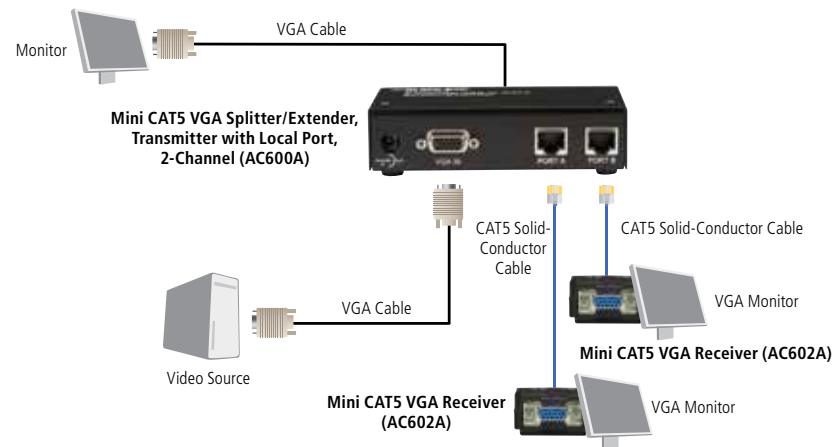
**Extend video up to 500
feet over ordinary
CAT5 cable.**



FEATURES

- » Send video up to 500 feet over ordinary CAT5 cable.
- » Eliminate the need for bulky VGA cables.
- » Buffer and boost signals for a clear video image.
- » Single-channel extender connects a remote VGA screen via a receiver.
- » Splitter/extenders send VGA signals over CAT5 UTP to receivers attached to two or four monitors.
- » Single-channel wallplate transmitter extender mounts in any standard junction box.

Splitter/extenders send video over CAT5 to multiple locations.



OVERVIEW

Say goodbye to bulky, difficult-to-terminate VGA cable. BLACK BOX® Mini CAT5 Extenders enable you to use ordinary CAT5 UTP cable to connect video monitors up to 500 feet (152.4 m) from your PC or video source.

They're ideal for placing video displays such as monitors or LCD screens where you need them to display information such as schedules, menus, or advertising.

The extender transmitters amplify the signal for clean and crisp transmission, and differential signaling eliminates ground loops and noise. In the transmission, there's little or no degradation of video quality, and they handle resolutions up to 1600 x 1200 at any refresh rate. The VGA models work with VGA, SVGA, XGA, and UXGA video.

You can also transport them and install them with ease. Rugged and reliable, the extender units feature a compact plastic enclosure that can withstand the daily grind and frequent plugging and unplugging of cables.

Mini CAT5 Extender Kits

These are low-cost, single-channel extenders for sending video signals over CAT5 UTP links. With these kits, you get a single-channel transmitter and a receiver unit, which work together to extend the video signal at a long distance. Just plug a standard CAT5 cable up to 500 feet (152.4 m) long between the local and remote units.

The transmitter-extender combo requires only a single power supply, which can be plugged in at either end of the link—whichever side is most convenient for you.

Choose from VGA or Component versions.

The VGA kit converts a PC's VGA or signal into a format that can be transmitted over the CAT5 link, then converts it back to VGA for connection to your monitor, projector or other display device.

The transmitter and receiver units in the Component kit are the same as the VGA model's, but it has cables for connecting Component devices at each end. On the transmitter side, these cables connect to the three RCA connectors of DVD players or other video sources that output Component (RGB, Y-Pb-Pr, or Y-Cb-Cr) video. And, on the receiver side, the cables connect HDTVs, high-end monitors, and other compatible displays.

Mini CAT5 VGA Extender Transmitter in Wallplate

This extender transmitter not only sends video up to 500 feet (152.4 m) over CAT5 and enables you to eliminate bulky VGA cables in your application, it also has a single-gang wallplate that mounts in any standard junction box—saving you valuable space and simplifying your installation.

For this reason, the Mini CAT5 VGA Extender Transmitter with Wallplate is ideal for crowded video distribution applications, especially those in which equipment is close to a wall.

The rear of the extender has an RJ-45 connector for CAT5 links, and the front has an HD15 connector for local video links, as well as a power supply that connects with screw terminals.

For receiver-side connections, you'll need to order the Mini CAT5 VGA Receiver (AC602A).



AC504A

Mini CAT5 VGA Extender Transmitter with Local Port

This transmitter suits single-channel extensions and features a local loopthrough HD15 port, which you can use to attach a VGA monitor for a local display.

And because it supplies “phantom power” over the CAT5 interconnecting link, in most applications, it requires power at only one end. This can be either through the included power supply attached to the transmitter or to the receiver (AC602A) that it’s paired with.

Mini CAT5 Splitter/Extenders with Local Port

Send VGA video signals over CAT5 UTP to two or four monitors with these splitter/extenders. The 2-Channel Transmitter (AC600A) sends video to two remote displays; the 4-Channel Transmitter (AC601A) sends video up to four remote displays. Even better, a second VGA connection on both models enables you to connect a local monitor.

For each remote display, order a separate Mini CAT5 VGA Receiver (AC602A). In most setups, the Mini CAT5 Splitter/Extender combo requires a power supply at the transmitter end only to power a link to all connected receivers. (However, for CAT5 runs of more than 300 feet, the receivers require their own power supply [not included].)

The Mini CAT5 VGA Extender Transmitter or Receiver in Wallplate (AC504A-WP or AC504A-WP-R) enables you to send or receive a VGA video signal via an easy wallplate connection.



Item

Code

For connecting a single video source to a single receiver, order...

Mini CAT5 Extender Kits	
VGA	AC504A
Component	AC504A-CP

For applications with limited space, first order a single-channel transmitter...

Mini CAT5 VGA Extender Transmitter in Wallplate **AC504A-WP**

...then order a receiver.
Mini CAT5 VGA Extender Receiver in Wallplate **AC504A-WP-R**
Mini CAT5 VGA Receiver **AC602A**

For single-channel extension and local monitoring, order a...

Mini CAT5 VGA Extender Transmitter with Local Port **AC603A**

...then order a receiver.
Mini CAT5 VGA Receiver **AC602A**

To extend to multiple screens and monitor locally, first order a transmitter...

Mini CAT5 VGA Splitter/Extender Transmitter with Local Port	
2-Channel	AC600A
4-Channel	AC601A

...then, for each remote location, order a receiver.

Mini CAT5 VGA Receiver	AC602A
------------------------	--------

What’s included

AC504A:

- ◆ Transmitter
- ◆ Receiver
- ◆ Power supply
- ◆ VGA cable with HD15 male/male connectors

AC504A-CP:

- ◆ Transmitter
- ◆ Receiver
- ◆ Power supply
- ◆ (2) video cables with (1) HD15 male/(3) RCA male connectors

AC504A-WP:

- ◆ Transmitter in Wallplate
- ◆ Power supply

AC504A-WP-R:

- ◆ Receiver in Wallplate
- ◆ Power supply

AC603A:

- ◆ Transmitter
- ◆ Power supply

AC600A–AC601A:

- ◆ Transmitter
- ◆ Power supply
- ◆ VGA cable with HD15 male/male connectors

AC602A:

- ◆ Receiver

TECH SPECS

Distance (Maximum) — 500 ft. (152.4 m)

Resolution (Maximum) — 1600 x 1200 at 300 ft. (91.4 m) or 1280 x 1024 at 500 ft. (152.4 m)

CE Approval — Yes

Connectors — AC504A, AC504A-CP: Video input/output:

(1) HD15 F on both transmitter and receiver,

Interconnect: (1) shielded RJ-45 on both transmitter and receiver;

AC504A-WP: Video input: (1) HD15 F,

Interconnect: (1) shielded RJ-45;

AC504A-WP-R: Video output: (1) HD15 F,

Interconnect: (1) shielded RJ-45;

AC602A: Video output: (1) HD15 F,

Interconnect: (1) shielded RJ-45;

AC603A: Video input: (1) HD15 F,

Local monitor: (1) HD15 F,

Interconnect: (1) shielded RJ-45;

AC600A: Video input: (1) HD15 F,

Local monitor: (1) HD15 F,

Interconnect: (2) shielded RJ-45;

AC601A: Video input: (1) HD15 F,

Local monitor: (1) HD15 F,

Interconnect: (4) shielded RJ-45

Power — 100–240 VAC, 50–60 Hz, autosensing;

AC504A-WP: External: output voltage: 9 DC center-positive; sends power over UTP

Size — AC504A, AC504A-CP, AC602A–AC603A:

Each unit: 0.8"H x 1.7"W x 4.5"D (2 x 4.3 x 11.4 cm);

AC504A-WP: Single-gang wallplate;

AC600A: 1.2"H x 4.9"W x 2.6"D (3 x 12.4 x 6.6 cm);

AC601A: 1.2"H x 8.5"W x 3"D (3 x 21.6 x 7.6 cm)